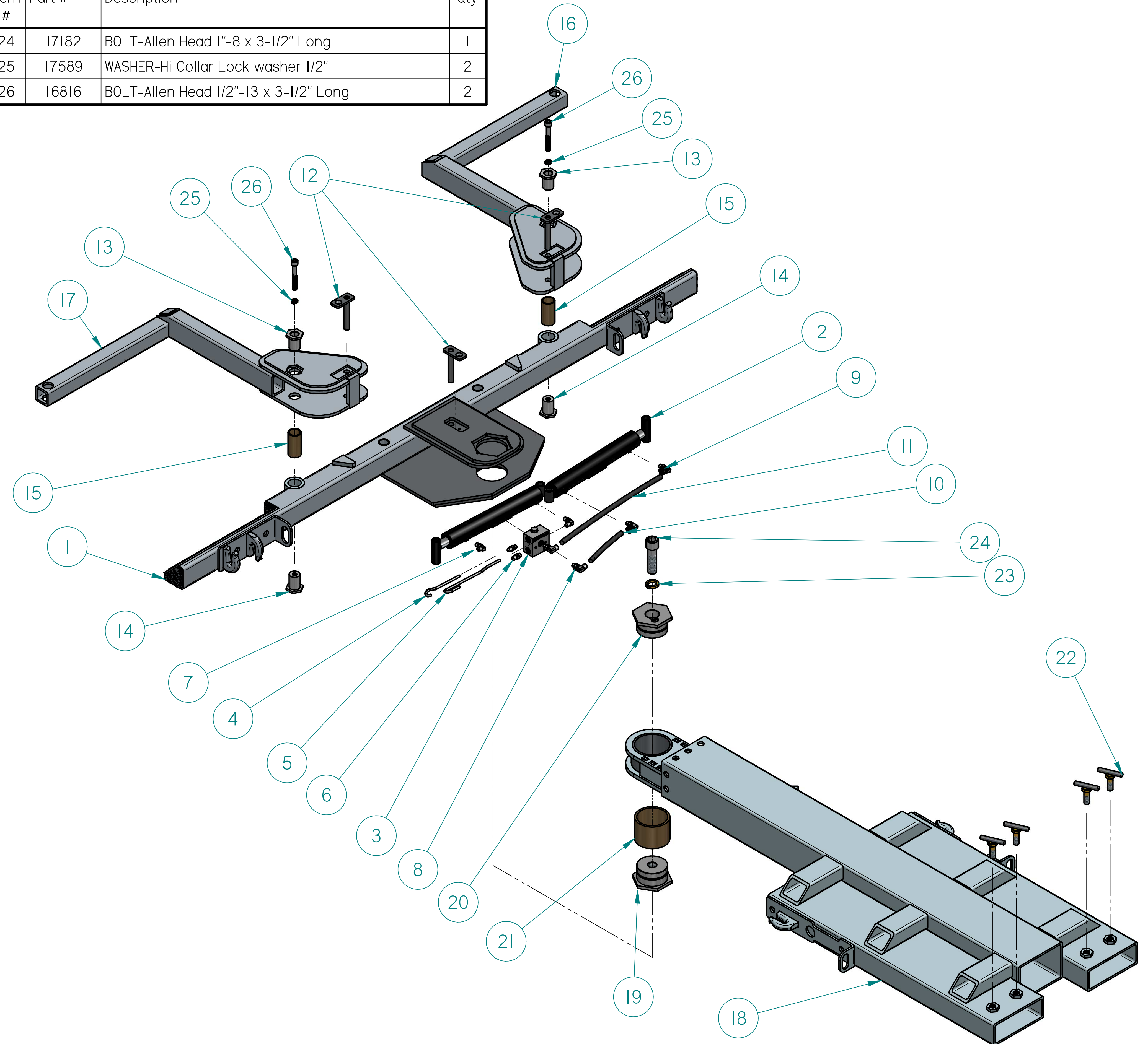


REVISION HISTORY			
REV	DESCRIPTION	DATE	APPROVED

Item #	Part #	Description	Qty	Item #	Part #	Description	Qty
1		FLA-Crossbar Assembly	1	24	17182	BOLT-Allen Head 1"-8 x 3-1/2" Long	1
2	7166	Jaw Cylinder	2	25	17589	WASHER-Hi Collar Lock washer 1/2"	2
3	7407	FLA-Jaw Cylinder Check Block	1	26	16816	BOLT-Allen Head 1/2"-13 x 3-1/2" Long	2
4	17128	FLA-Steel Line 8832	1				
5	8834	FLA-Steel Line 8834	1				
6	471	FITTING - -4 Oring Boss Male - -4 JIC Male straight	2				
7	2328	FITTING - -4 Oring Boss Male - -4 JIC Male 90deg	2				
8	15212	FITTING - -4 Oring Boss Male - -4 Oring Face Male 90deg	2				
9	7877	FITTING - -4 Oring Boss Male - -4 Female NPTF 90deg	2				
10	11878	Shorter Hose (7-1/4" Long)	1				
11	11877	Longer Hose (18-1/2" Long)	1				
12	30500	FLA-XBAR-PINS-Jaw Cylinder Pin	3				
13	30300	FLA-XBAR-PINS-2" Hex Pin Top	2				
14	30400	FLA-XBAR-PINS-2" Hex Pin Bottom	2				
15	17266-4	FLA-XBAR-Crossbar Core-1.50D Cast Bronze Bushing	2				
16		FLA-XBAR-Primary Arms-DS Assembly	1				
17		FLA-XBAR-Primary Arms-PS Assembly	1				
18		FLA-BASE-ASSEMBLY	1				
19	30100	FLA-PINS-4" Hex Pin Bottom	1				
20	30000	FLA-PINS-4" Hex Pin Top	1				
21	14228-5	FLA-Pivot Head-40D Brass Bushing	1				
22	18076	TBOLT-Zinc Coated	4				
23	17520	WASHER-Hi Collar Lock washer 1"	1				



Forklift Attachment Wheel Lift